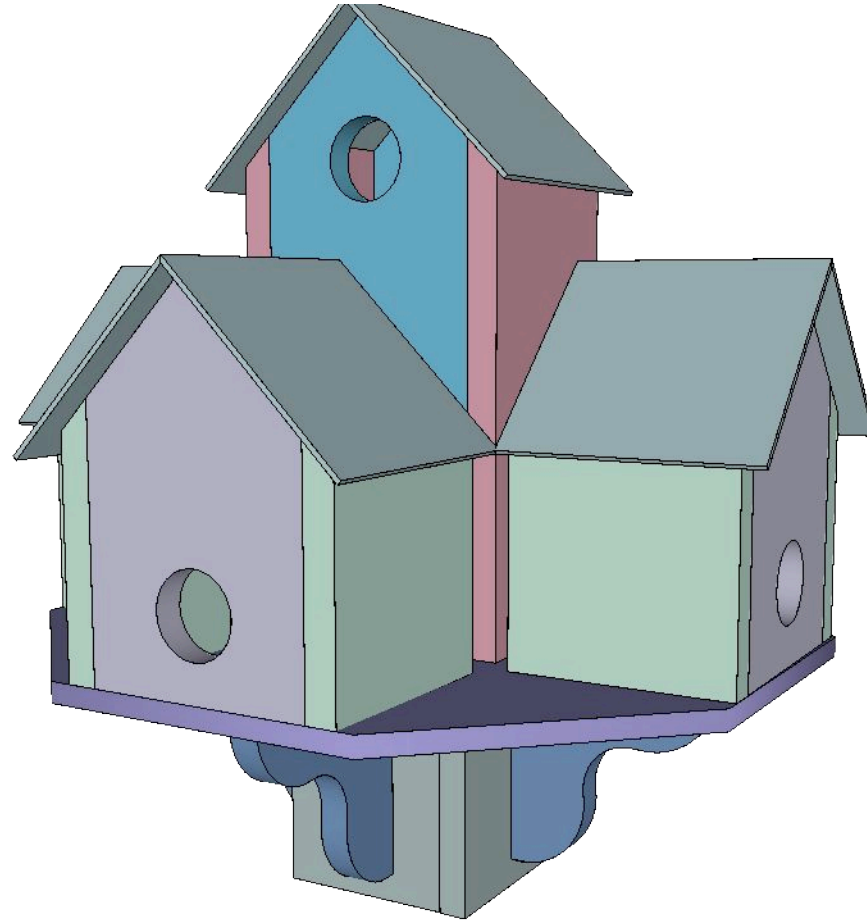


Bird House Hotel



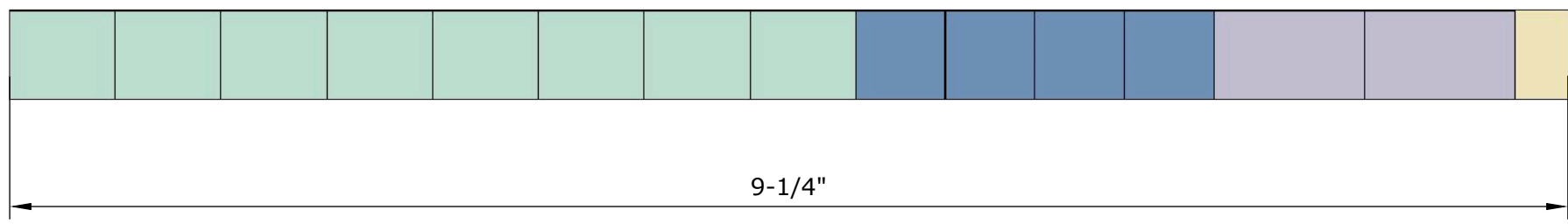
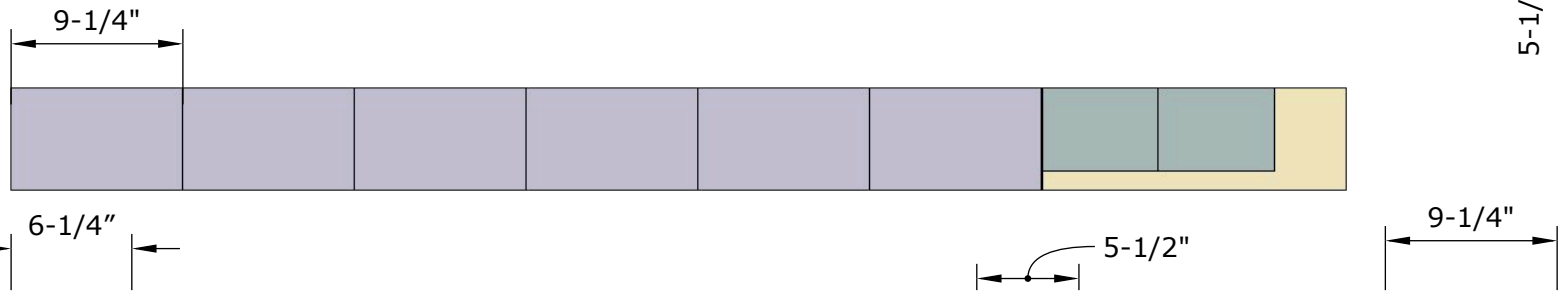
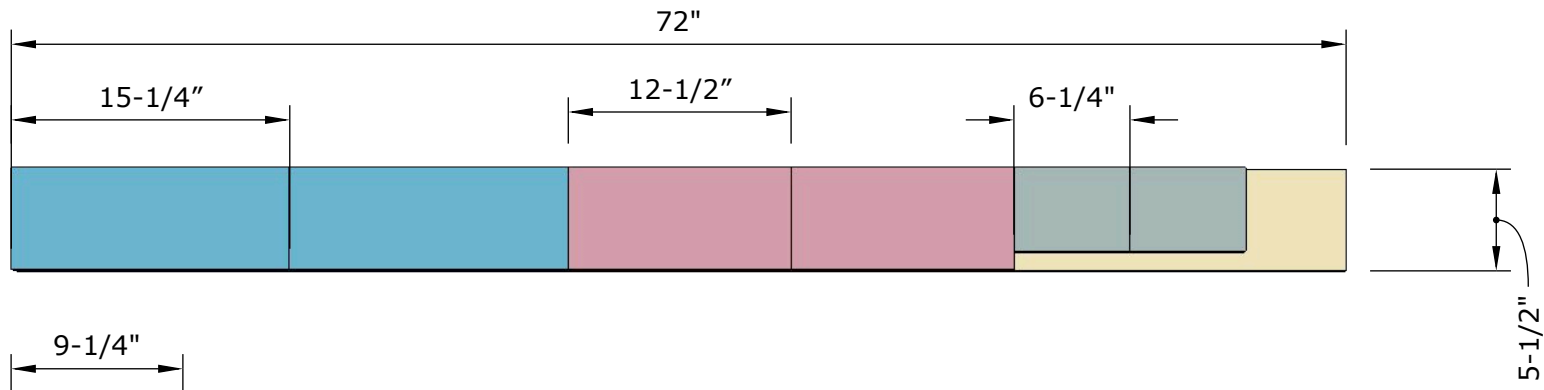
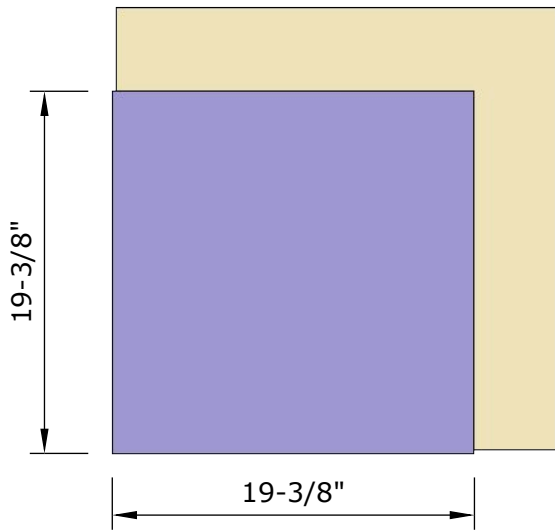
Materials

Quantity	Item	Notes
2	1" x 6" x 6' Pine Board	
1	1" x 6" x 8' Pine Board	
1	24" x 24" x 3/4" plywood	
1	4" x 4" x 8' post	
5	12" x 7" copper sheets	
1 box	1-1/4 wood screws	
40	3/4" wood screws	
1	Tube of Loctite adhesive	
	Paint	Color of your choice

Note: This is a great project for using up some old scrap material. I would suggest going through your scrap bin before going to purchase materials.

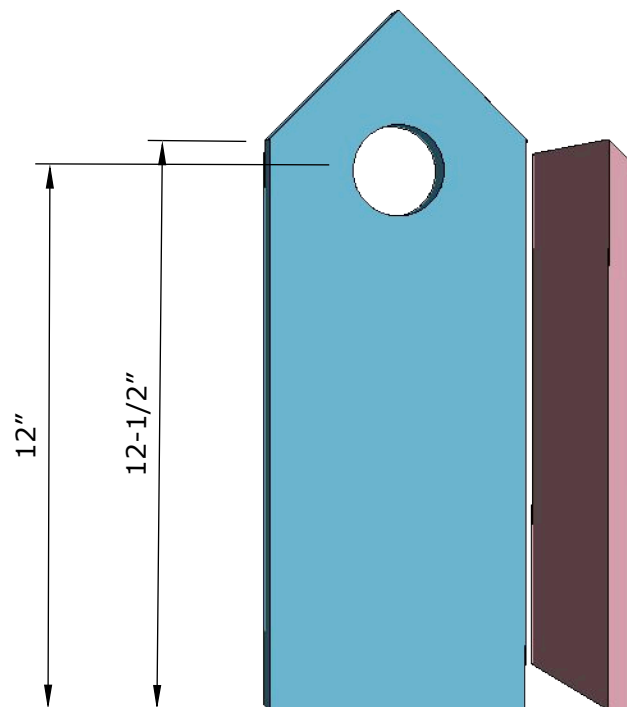
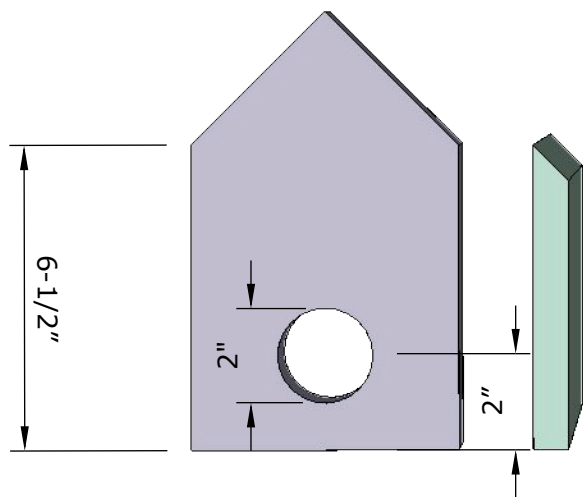
Cut List

The pieces colored the same are identical to each other.



Cut Your Pieces

Cut the 45 degree angles on both the side pieces and the front and backs. You will need four small houses and one tall house.

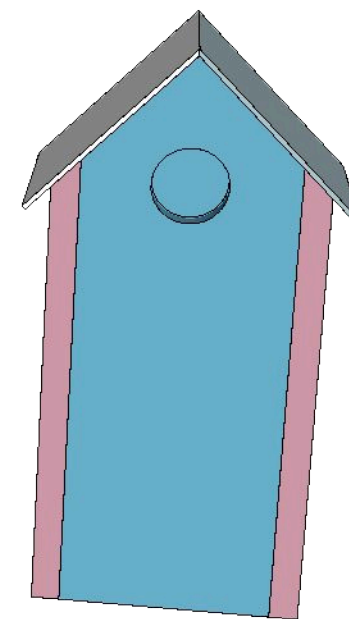
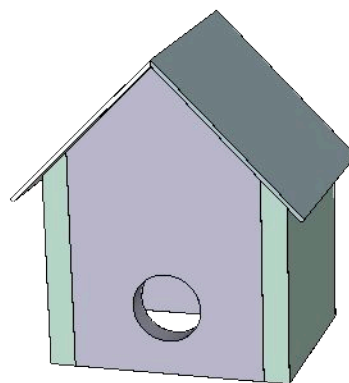
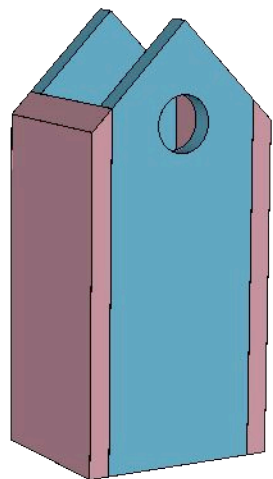
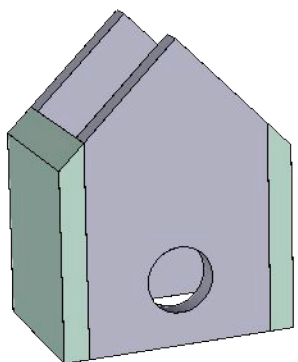


Join sides and Roofs

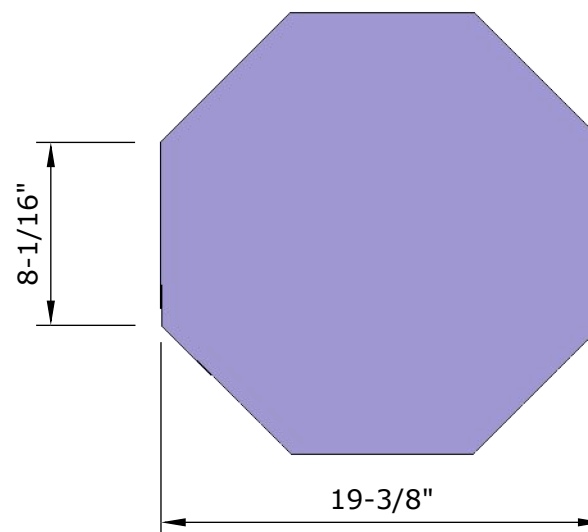
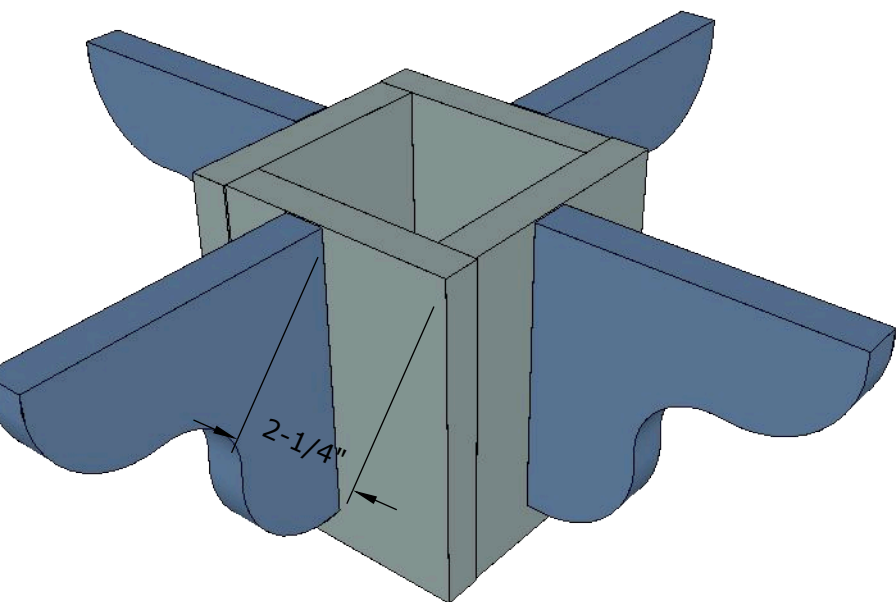
Join the pieces together using a countersink bit and 1 1/4" screws.

Note: I recommend painting your boards before assembly.

The copper roofs are joined to the tops of the bird houses using Loctite adhesive and 3/4" wood screws.

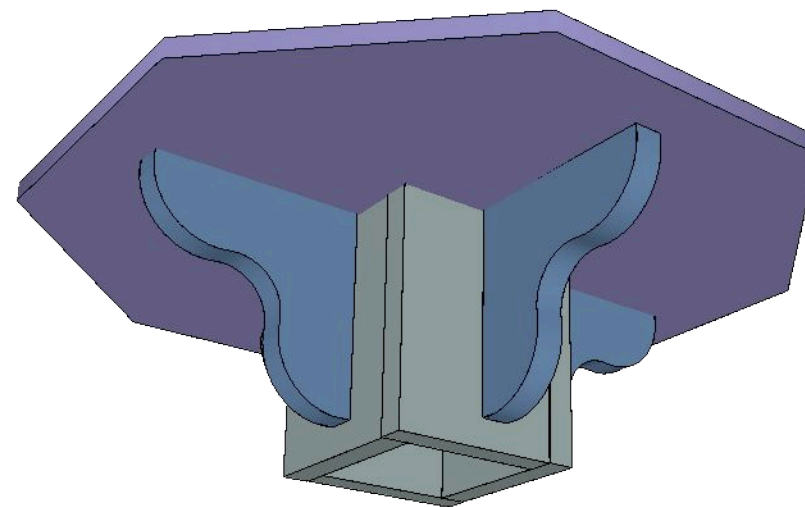


Build the Base

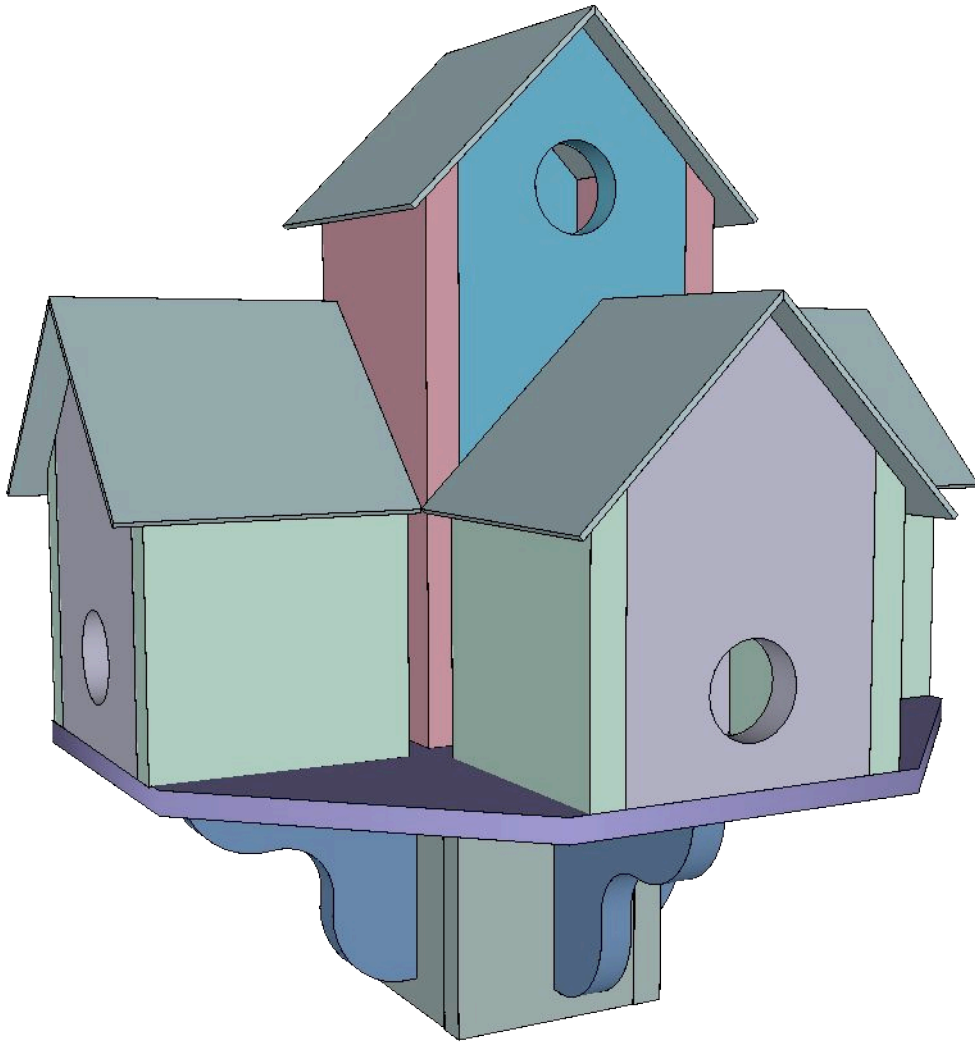


Attach the right angle supports to the 4 side pieces as shown. Join the sides pieces with $1\text{-}1/4$ " wood screws after using a counter sink bit.

Finally, join the base to the support using $1\text{-}1/4$ " woods screws



Attach the Houses



Attach the houses to the base using Loctite adhesive and 1-1/4" wood screws.

Your Bird House Hotel is now complete! You can set the entire structure on top of a 4x4 post and enjoy.

Be sure to check out the build video on my YouTube channel to see an overview of the building process. Also check out my website at Wilkerdos.com for other projects/plans.

Thank you for supporting what I do! Be safe.